

BALDOR® • RELIANCE 

Product Information Packet

EM2555T-5

100HP, 1780RPM, 3PH, 60HZ, 404T, 4484M, OPSB, F

| Part Detail | | | | | | | |
|-------------|--------|-------------|------------|-------------|--------|---------------|------------|
| Revision: | L | Status: | PRD/A | Change #: | | Proprietary: | No |
| Type: | AC | Elec. Spec: | 44WG315 | CD Diagram: | CD0006 | Mfg Plant: | |
| Mech. Spec: | 44E012 | Layout: | 44LYE012 | Poles: | 04 | Created Date: | 08-06-2010 |
| Base: | RG | Eff. Date: | 04-08-2019 | Leads: | 3#4 | | |

| Specs | | | |
|---------------------------------|-------------------------|--------------------------------|-----------------------|
| Catalog Number: | EM2555T-5 | KVA Code: | H |
| Enclosure: | OPSB | Lifting Lugs: | Standard Lifting Lugs |
| Frame: | 404T | Locked Bearing Indicator: | Locked Bearing |
| Frame Material: | Steel | Motor Lead Quantity/Wire Size: | 3 @ 4 AWG |
| Output @ Frequency: | 100.000 HP @ 60 HZ | Motor Lead Exit: | Ko Box |
| Synchronous Speed @ Frequency: | 1800 RPM @ 60 HZ | Motor Lead Termination: | Flying Leads |
| Voltage @ Frequency: | 575.0 V @ 60 HZ | Motor Type: | 4484M |
| Agency Approvals: | CSA | Mounting Arrangement: | F1 |
| | CSA EEV | Power Factor: | 83 |
| | UR | Product Family: | General Purpose |
| Auxillary Box: | No Auxillary Box | Pulley End Bearing Type: | Ball |
| Auxillary Box Lead Termination: | None | Pulley Face Code: | Standard |
| Base Indicator: | Rigid | Pulley Shaft Indicator: | Standard |
| Bearing Grease Type: | Polyrex EM (-20F +300F) | Rodent Screen: | None |
| Blower: | None | Shaft Extension Location: | Pulley End |
| Current @ Voltage: | 93.000 A @ 575.0 V | Shaft Ground Indicator: | No Shaft Grounding |
| Design Code: | A | Shaft Rotation: | Reversible |
| Drip Cover: | No Drip Cover | Shaft Slinger Indicator: | No Slinger |

| | | | |
|---------------------------------------|---------------------------|------------------------------------|---------------------|
| Duty Rating: | CONT | Speed Code: | Single Speed |
| Electrically Isolated Bearing: | Not Electrically Isolated | Motor Standards: | NEMA |
| Feedback Device: | NO FEEDBACK | Starting Method: | Direct on line |
| Front Face Code: | Standard | Thermal Device - Bearing: | None |
| Front Shaft Indicator: | None | Thermal Device - Winding: | None |
| Heater Indicator: | No Heater | Vibration Sensor Indicator: | No Vibration Sensor |
| Insulation Class: | F | Winding Thermal 1: | None |
| Inverter Code: | Not Inverter | Winding Thermal 2: | None |

| Nameplate NP2138L | | | | | | | | | | | |
|-------------------|--------------|--|----|----------------|---|----------|------------|-----------|---------|------|--|
| CAT.NO. | EM2555T-5 | | | P/N | | | | ENCLOSURE | OPSB | | |
| SPEC. | 44E012W315G1 | | CC | 010A | | FRAME | 404T | | S/N | | |
| HP | 100 | | | CLASS | F | | HZ | 60 | | | |
| RPM | 1780 | | | PH | 3 | | DES | A | | | |
| VOLT | 575 | | | | | KVA-CODE | H | | ODE BRG | 6312 | |
| AMP | 93 | | | USABLE AT 208V | | | | | | | |
| RATING | 40C AMB-CONT | | | GREASE | | | POLYREX EM | | | | |
| NEMA-NOM-EFF | 95.4 | | PF | 83 | | SER.F. | 1.15 | | | | |
| HTR-VOLTS | | | | HTR-AMPS | | | | | | | |

| Parts List | | |
|-------------|--|----------|
| Part Number | Description | Quantity |
| SA201363 | SA 44E012W315G1 | 1.000 EA |
| RA188662 | RA 44E012W315G1 | 1.000 EA |
| HA6731 | LIFTING LUG FOR 44 FRAME MOTORS. | 2.000 EA |
| HA6648A01 | CAST ADAPTER, 44 FRAME - NEMA 404-5 - MA | 1.000 EA |
| 19XW3816A16 | .38-16 X 1.00 HEX WASHER HEAD TAPTITE II | 2.000 EA |
| HW1001A38 | LOCKWASHER 3/8, ZINC PLT .688 OD, .382 I | 2.000 EA |
| 18CB1006A04 | CB 318 3.62 LD HOLE, .38 MTG HOLE & 3.88 | 1.000 EA |
| 19XW3118A16 | .31-18 HEX WASHER HEAD TAPTITE II 1.00 L | 4.000 EA |
| HW1001A31 | LOCKWASHER 5/16, ZINC PLT.591 OD, .319 I | 4.000 EA |
| WD1000B25 | GND LUG, BURNDY L125HP OR T&B L125HP-BB | 1.000 EA |
| 10XN3118K08 | 5/16-18 X .50 GRADE #5, STL, ZINC PLATE | 1.000 EA |
| HW1001A31 | LOCKWASHER 5/16, ZINC PLT.591 OD, .319 I | 1.000 EA |
| 44EP1203A02 | FREP, MACH | 1.000 EA |
| HA4051A00 | PLASTIC CAP FOR GREASE FITTING | 1.000 EA |
| HW5100A15 | W4997-050 WVY WSHR (WB) | 1.000 EA |
| 10XN3816K48 | 3/8-16 X 3 HEX HD CAP SCREW,Z/P | 4.000 EA |
| HW1001A38 | LOCKWASHER 3/8, ZINC PLT .688 OD, .382 I | 4.000 EA |
| 44EP1202A01 | PU ENDPLATE, MACH. | 1.000 EA |
| HA4051A00 | PLASTIC CAP FOR GREASE FITTING | 1.000 EA |
| XY5013A12 | NUT,1/2-13,HEX,STEEL,ZINCPLATED | 8.000 EA |
| 18CB1506A01 | CB LID 318 FOR 18CB1006 | 1.000 EA |
| 10XN3118K16 | 5/16-18 X 1' GRADE #5, STL, ZINC PLATE | 4.000 EA |
| HW1001A31 | LOCKWASHER 5/16, ZINC PLT.591 OD, .319 I | 4.000 EA |
| HW2501K66 | KEY, 3/4 SQ X 5.625 | 1.000 EA |

| Parts List (continued) | | |
|------------------------|--|----------|
| Part Number | Description | Quantity |
| LB1115N | LABEL,LIFTING DEVICE (ON ROLLS) | 1.000 EA |
| MN416A01 | TAG-INSTAL-MAINT no wire (1200/bx) 3/19 | 1.000 EA |
| HW4500A03 | GREASE FITTING, .125 NPT 1610(ALEMITE) 8 | 1.000 EA |
| HW4500A20 | 1/8NPT SL PIPE PLUG | 1.000 EA |
| HA4051A00 | PLASTIC CAP FOR GREASE FITTING | 1.000 EA |
| MJ1000A02 | GREASE, MOBIL POLYREX EM - 124047 | 0.030 LB |
| HW4500A03 | GREASE FITTING, .125 NPT 1610(ALEMITE) 8 | 1.000 EA |
| HW4500A20 | 1/8NPT SL PIPE PLUG | 1.000 EA |
| HA4051A00 | PLASTIC CAP FOR GREASE FITTING | 1.000 EA |
| MG1000Y03 | MUNSELL 2.53Y 6.70/ 4.60, GLOSS 20, | 0.080 GA |
| 85XU0407S04 | 4X1/4 U DRIVE PIN STAINLESS | 4.000 EA |
| 44AD2001A01 | BAFFLE 44 OPEN,"X"=1.00, SLOTTED BAND MT | 1.000 EA |
| 44AD2001A01 | BAFFLE 44 OPEN,"X"=1.00, SLOTTED BAND MT | 1.000 EA |
| HA3175A04 | THRUBOLT STUD 1/2-13 X 26.000 - GRADE 2 | 4.000 EA |
| LB1119N | WARNING LABEL | 1.000 EA |
| LC0006 | CONNECTION LABEL | 1.000 EA |
| NP2138L | ALUM SUPER-E UL CSA-EEV PREM CC (300 | 1.000 EA |
| 44PA1000 | PK GP COMB PRINT 39-3/8X31X23-7/8 | 1.000 EA |

AC Induction Motor Performance Data

Record # 32035 - Typical performance - not guaranteed values

| | | |
|-------------------------------|--------------------|------------------------|
| Winding: 44WGW315-R001 | Type: 4484M | Enclosure: OPSB |
|-------------------------------|--------------------|------------------------|

| Nameplate Data | | | | 575 V, 60 Hz: Single Voltage Motor | |
|-----------------------|--------------|--------------|----|---------------------------------------|-------------------------|
| Rated Output (HP) | 100 | | | Full Load Torque | 295 LB-FT |
| Volts | 575 | | | Start Configuration | direct on line |
| Full Load Amps | 93 | | | Breakdown Torque | 839 LB-FT |
| R.P.M. | 1780 | | | Pull-up Torque | 355 LB-FT |
| Hz | 60 | Phase | 3 | Locked-rotor Torque | 471 LB-FT |
| NEMA Design Code | A | KVA Code | H | Starting Current | 646 A |
| Service Factor (S.F.) | 1.15 | | | No-load Current | 33.5 A |
| NEMA Nom. Eff. | 95.4 | Power Factor | 83 | Line-line Res. @ 25°C | 0.0697 Ω |
| Rating - Duty | 40C AMB-CONT | | | Temp. Rise @ Rated Load | 47°C |
| S.F. Amps | | | | Temp. Rise @ S.F. Load | 57°C |
| | | | | Locked-rotor Power Factor | 25 |
| | | | | Rotor inertia | 15.9 LB-FT ² |

Load Characteristics 575 V, 60 Hz, 100 HP

| % of Rated Load | 25 | 50 | 75 | 100 | 125 | 150 | S.F. |
|-----------------|------|------|------|------|------|------|------|
| Power Factor | 50 | 73 | 81 | 85 | 86 | 87 | 86 |
| Efficiency | 92.6 | 95.4 | 95.6 | 95.5 | 95.1 | 94.4 | 95.3 |
| Speed | 1794 | 1790 | 1785 | 1780 | 1775 | 1769 | 1777 |
| Line amperes | 40.1 | 53.9 | 72.1 | 92.7 | 115 | 137 | 106 |

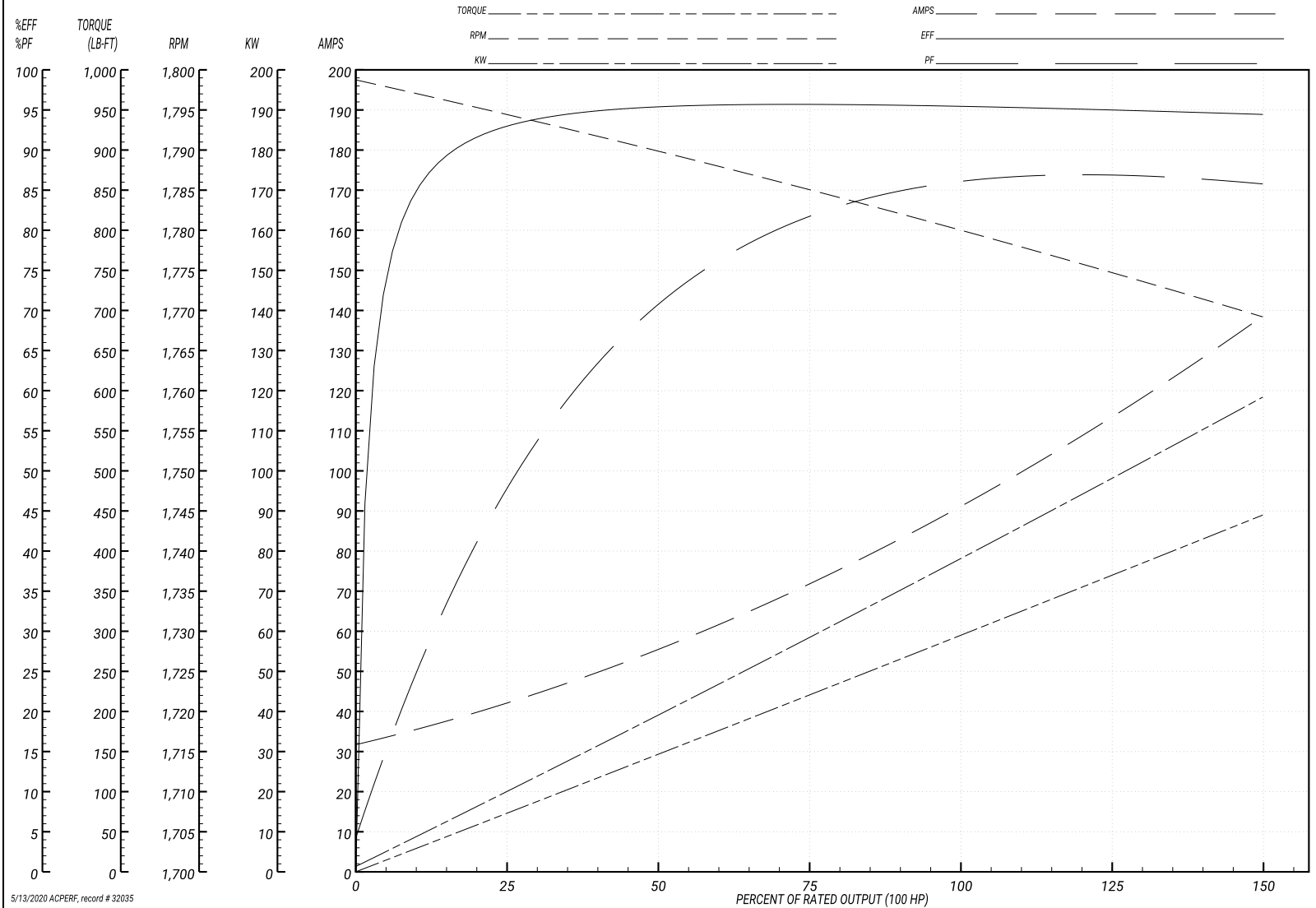
Performance Graph at 575V, 60Hz, 100.0HP Typical performance - Not guaranteed values

ABB Motors and Mechanical Inc.

WINDING # 44WGW315

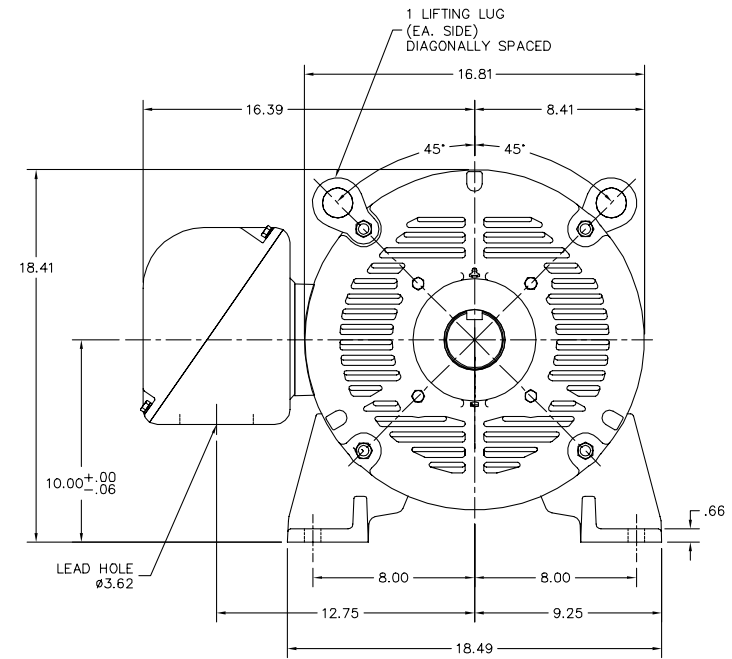
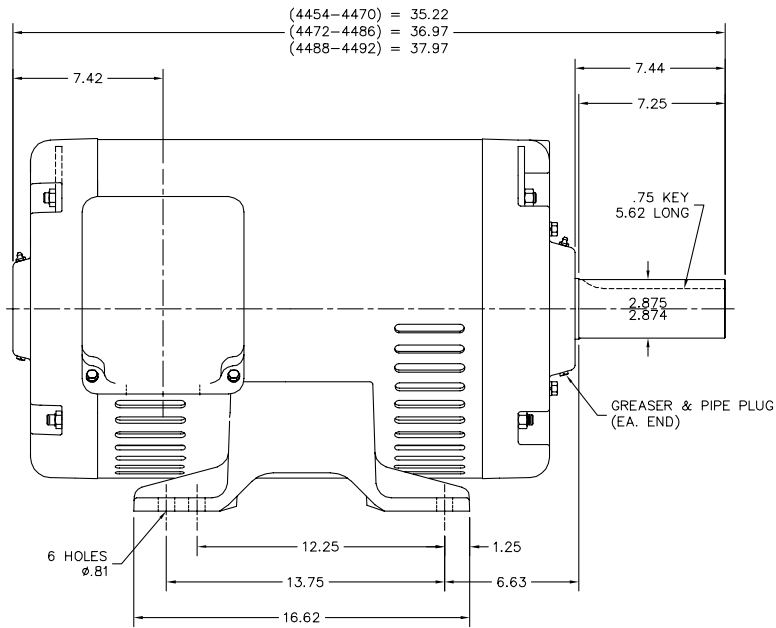
Typical performance - not guaranteed values.

100 HP 3 PH 60 HZ 1780 RPM 575 V 4484M
 TORQUES(LB-FT): PO=839 PU=355 LR=471 LRA=646



5/13/2020 ACPERF, record # 32035

44LYE012



CUSTOMER IS RESPONSIBLE FOR DETERMINING THAT BALDOR'S PRODUCT WILL PERFORM SUITABLY IN THE INTENDED APPLICATION.

| | | |
|------------------------------------|------------------------------|-------------------|
| REV. DESC: ADDED MISSING DIMENSION | | |
| REV. LTR: H | VERSION: 04 | TDR: 000000B58752 |
| FILE: \AAA\00040\894 | REVISED: 09:36:58 06/18/2014 | BY: ENNINDO |
| MTL: - | | |

BALDOR
HORZ OPSB 404-5T
SH 1 of 1

44LYE012

CD0006



NOTES:

1. THREE LEAD MOTOR MAY BE EITHER WYE CONNECTED OR DELTA CONNECTED.
2. INTERCHANGE ANY TWO LINE LEADS TO REVERSE ROTATION.
3. OPTIONAL THERMOSTATS ARE PROVIDED WHEN SPECIFIED.
4. ACTUAL NUMBER OF INTERNAL PARALLEL CIRCUITS MAY VARY.
5. LEAD COLORS ARE OPTIONAL. LEADS MUST BE NUMBERED AS SHOWN.

CD0006

| | | |
|-----------------------------------|------------------------------|-------------------|
| REV. DESC: ADD CLASS CONN00000007 | | |
| REV. LTR: E | VERSION: 01 | TDR: 000001099922 |
| FILE: \AAA\00005\141 | REVISED: 10:24:49 02/19/2019 | BY: ENBRIRO |
| MTL: - | © □ | |

BALDOR - RELIANCE®

3PH, SV, 3 LEADS, WYE OR DELTA CONNECTED

SH 1 of 1

Marketing maintained PDF of MN416:

[MN416?ManNumber=MN416](#)